

Piesa tip sa

PSL



Descriere

Piesa tip sa, presata, prevazuta cu garnitura, avand raza de montaj aerodinamica.

Cod comanda

Cod produs:

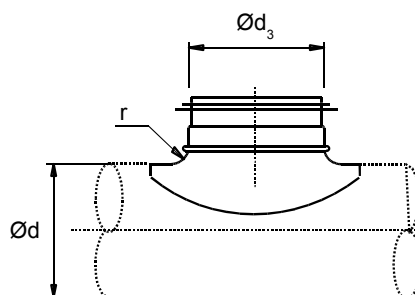
PSL **aaa** **bbb**

Cod

Ød

Ød₃

Dimensiuni



| Ød nom | Ød ₃ nom | r | kg |
|-----------|------------------------|----|------|
| 100 | 100 | 15 | 0.15 |
| 125 | 100 | 15 | 0.20 |
| 125 | 125 | 20 | 0.25 |
| 160(150) | 100 | 15 | 0.15 |
| 160(150) | 125 | 20 | 0.20 |
| 160(150) | 150 | 20 | 0.25 |
| 200 | 100 | 15 | 0.20 |
| 200 | 125 | 20 | 0.25 |
| 200 | 150 | 20 | 0.25 |
| 200 | 160 | 20 | 0.25 |
| 200 | 200 | 25 | 0.35 |
| 250 | 100 | 15 | 0.20 |
| 250 | 125 | 20 | 0.25 |
| 250 | 150 | 20 | 0.25 |
| 250 | 160 | 20 | 0.30 |
| 250 | 200 | 25 | 0.40 |
| 250 | 250 | 25 | 0.60 |
| 315(300) | 100 | 15 | 0.15 |
| 315(300) | 125 | 20 | 0.20 |
| 315(300) | 150 | 20 | 0.25 |
| 315(300) | 160 | 20 | 0.30 |
| 315(300) | 200 | 25 | 0.45 |
| 315(300) | 250 | 15 | 1.10 |
| 300 | 300 | - | 0.35 |
| 315 | 315 | 35 | 1.10 |

Piesa tip sa

PSL



Descriere

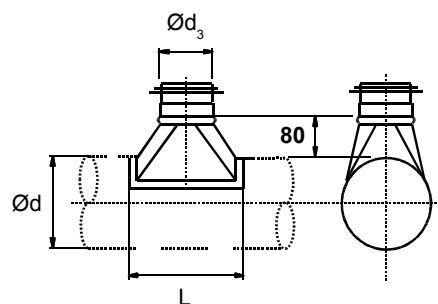
Piesa tip sa, prevazuta cu garnitura.

Cod comanda

Cod produs: **PSL** **aaa** **bbb**

Cod _____
Ød _____
Ød₃ _____

Dimensiuni



| Ød nom | Ød ₃ nom | L | kg |
|--------|---------------------|-----|-----|
| 355 | 100 | 280 | 0.4 |
| 355 | 125 | 305 | 0.5 |
| 355 | 150 | 330 | 0.6 |
| 355 | 160 | 340 | 0.6 |
| 355 | 200 | 380 | 0.9 |
| 355 | 250 | 430 | 1.1 |
| 355 | 300 | 480 | 1.5 |
| 355 | 315 | 495 | 1.6 |
| 355 | 355 | 535 | 2.2 |
| 400 | 100 | 280 | 0.4 |
| 400 | 125 | 305 | 0.5 |
| 400 | 150 | 330 | 0.6 |
| 400 | 160 | 340 | 0.7 |
| 400 | 200 | 380 | 0.9 |
| 400 | 250 | 430 | 1.1 |
| 400 | 300 | 480 | 1.5 |
| 400 | 315 | 495 | 1.6 |
| 400 | 355 | 535 | 2.3 |
| 400 | 400 | 580 | 2.7 |
| 450 | 125 | 305 | 0.5 |
| 450 | 150 | 330 | 0.6 |
| 450 | 160 | 340 | 0.7 |
| 450 | 200 | 380 | 0.9 |
| 450 | 250 | 430 | 1.2 |
| 450 | 300 | 480 | 1.5 |
| 450 | 315 | 495 | 1.6 |
| 450 | 355 | 535 | 2.3 |
| 450 | 400 | 580 | 2.7 |
| 450 | 450 | 630 | 3.8 |

Piesa tip sa

PSL

Dimensiuni

| Ød nom | Ød ₃ nom | L | kg |
|-----------|------------------------|-----|-----|
| 500 | 125 | 305 | 0.5 |
| 500 | 150 | 330 | 0.7 |
| 500 | 160 | 340 | 0.7 |
| 500 | 200 | 380 | 1.0 |
| 500 | 250 | 430 | 1.2 |
| 500 | 300 | 480 | 1.6 |
| 500 | 315 | 495 | 1.7 |
| 500 | 355 | 535 | 2.4 |
| 500 | 400 | 580 | 2.8 |
| 500 | 450 | 630 | 4.0 |
| 500 | 500 | 680 | 4.6 |
| 560 | 150 | 330 | 0.7 |
| 560 | 160 | 340 | 0.8 |
| 560 | 200 | 380 | 0.9 |
| 560 | 250 | 430 | 1.2 |
| 560 | 300 | 480 | 1.6 |
| 560 | 315 | 495 | 1.7 |
| 560 | 355 | 535 | 2.5 |
| 560 | 400 | 580 | 2.8 |
| 560 | 450 | 630 | 4.0 |
| 560 | 500 | 680 | 4.6 |
| 560 | 560 | 740 | 5.3 |
| 600 | 150 | 330 | 0.8 |
| 600 | 160 | 340 | 0.9 |
| 600 | 200 | 380 | 1.0 |
| 600 | 250 | 430 | 1.3 |
| 600 | 300 | 480 | 1.6 |
| 600 | 315 | 495 | 1.7 |
| 600 | 355 | 535 | 2.5 |
| 600 | 400 | 580 | 2.9 |
| 600 | 450 | 630 | 4.1 |
| 600 | 500 | 680 | 4.7 |
| 600 | 560 | 740 | 5.4 |
| 600 | 600 | 780 | 5.8 |

| Ød nom | Ød ₃ nom | L | kg |
|-----------|------------------------|-----|-----|
| 630 | 150 | 330 | 0.8 |
| 630 | 160 | 340 | 0.9 |
| 630 | 200 | 380 | 1.0 |
| 630 | 250 | 430 | 1.3 |
| 630 | 300 | 480 | 1.6 |
| 630 | 315 | 495 | 1.7 |
| 630 | 355 | 535 | 2.5 |
| 630 | 400 | 580 | 2.9 |
| 630 | 450 | 630 | 4.2 |
| 630 | 500 | 680 | 4.8 |
| 630 | 560 | 740 | 5.5 |
| 630 | 630 | 810 | 6.3 |
| 710 | 200 | 380 | 1.1 |
| 710 | 250 | 430 | 1.3 |
| 710 | 300 | 480 | 1.7 |
| 710 | 315 | 495 | 1.8 |
| 710 | 355 | 535 | 2.6 |
| 710 | 400 | 580 | 3.0 |
| 710 | 450 | 630 | 4.3 |
| 710 | 500 | 680 | 4.9 |
| 710 | 560 | 740 | 5.6 |
| 710 | 600 | 780 | 6.0 |
| 710 | 630 | 810 | 6.4 |
| 710 | 710 | 890 | 9.4 |
| 800 | 200 | 430 | 1.2 |
| 800 | 250 | 430 | 1.4 |
| 800 | 300 | 430 | 1.8 |
| 800 | 315 | 430 | 1.9 |
| 800 | 355 | 430 | 2.7 |
| 800 | 400 | 430 | 3.1 |
| 800 | 450 | 430 | 4.4 |
| 800 | 500 | 430 | 5.0 |
| 800 | 560 | 430 | 5.7 |
| 800 | 600 | 430 | 6.2 |
| 800 | 630 | 430 | 6.6 |
| 800 | 710 | 430 | 8.6 |
| 800 | 800 | 430 | 9.9 |